



[www.advanced-engineering-group.com](http://www.advanced-engineering-group.com)

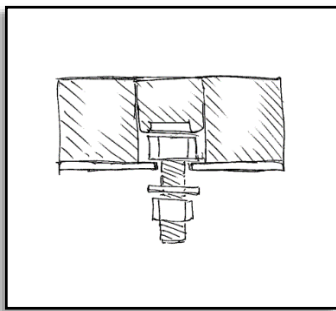
## STEEL BACKED RUBBER WEAR LINERS

(60 Duro rubber liner/ Steel backing)

### 5.0mm standard 10mm heavy duty steel backing

Install Advanced Engineering Groups CUSTOM DESIGNED STEEL BACKED RUBBER WEAR LINERS to protect steel surfaces, absorb energy from impact, reduce abrasion and vibration, lower noise and dust emissions. Suited to high impact applications and high wear.

Optional pre-drilled counter-bored holes



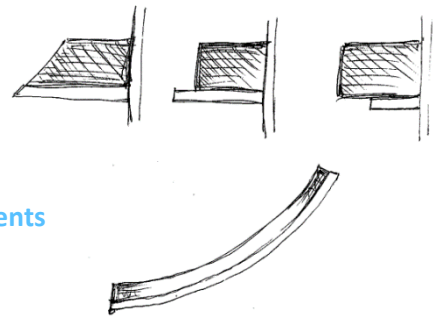
Polymer	NR/BR	
Colour	Black/ Steel backing	
Specific Gravity	1.10	ASTM D297
Hardness	60° ± 5° Shore A	ASTM D2240
Abrasion	90mm <sup>3</sup> (max) @ 10N	ASTM D5963
Tensile Strength	20 MPa (min)	ASTM D412
Elongation @ Break	450% (min)	ASTM D412
Tear Strength	80 N/mm (min)	ASTM D624
Temperature Range	-20°C to +70°C	

### Applications

- CHUTES AND FEED SPOUT
- CONVEYOR TRANSFER CHUTES
- DEFLECTOR PLATES
- DUMP TRUCK BODIES
- FEEDERS
- HOPPERS AND SURGE BINS
- SCREENS and more...

### Industries

- CONSTRUCTION
- QUARRIES
- MINING
- MINERAL PROCESSING



### Custom made steel backed rubber wear liners to suit all your requirements

- Supplied per specs /drawings
- Custom cut to any profile
- Bevels/ rebates
- Flat/ curved
- Moulded
- 25mm-150mm rubber thickness

Christchurch  
0800 880 233  
[sales@advanced.eng.co.nz](mailto:sales@advanced.eng.co.nz)

Brisbane  
07 3713 7744  
[sales@advanced-eng.com.au](mailto:sales@advanced-eng.com.au)

Melbourne  
03 9363 1577  
[sales@advanced-eng.com.au](mailto:sales@advanced-eng.com.au)